



TURBOTACT™ SOLUTIONS

MOTOTRBO™ SOLUTION FOR VARIED MARKETS



CONNECTIVITY TELEMETRY

Industry Application:

- Minerals & Energy
- Oil & Gas (Mining)
- Transportation & Logistics
- Education (Campuses)
- Private Security
- Construction
- Agriculture
- Government & Public Safety
- Utilities
- Hospitality & Tourism

Established in 1968, Design 2000 specializes in the design and manufacture of communication equipment (radio, landline & Ethernet), process control controllers (for dust emission control), and electrical test instruments (230V testers, power factor meters and electrical installation testers). Design 2000 has an in-house design and manufacturing control process which is Quality Assurance Standard ISO9001 certified. The company offers a wide range of purpose-built Interface equipment, radio voice/data communications equipment with software, and accessories that are available in Australia and exported worldwide.

THE CHALLENGE

When a workplace has different teams using the mobile phone, desk phone and portable radio to communicate, they cannot talk to each other using these different devices. Without a unified platform of communications, customer-facing personnel and backroom staff cannot coordinate effectively. It is also time-consuming and costly to replace communication infrastructure already in place.

THE SOLUTION

With an effective bridge of employee communications, you can expect instant coordination and improved response. Besides providing dispersed teams with seamless communications, you can also maximize user productivity and accuracy, delivering the fastest ROI.

MOTOTRBO™ portable, mobile and repeater.



SOLUTION OVERVIEW

TURBOTACT™ RADIO/TELEPHONE INTERCONNECT MODEL TR-4800M

TURBOTACT™ provides a Telephone Access Control Terminal to interconnect a MOTOTRBO™ two-way digital radio system to an IP telephone system, an ordinary telephone line, or PABX extension. It enables users to make and receive telephone calls on their MOTOTRBO radio mobiles and portables. The solution incorporates alarm dialer and relay control functions, and supports analog mode for radio fleets during the digital migration.

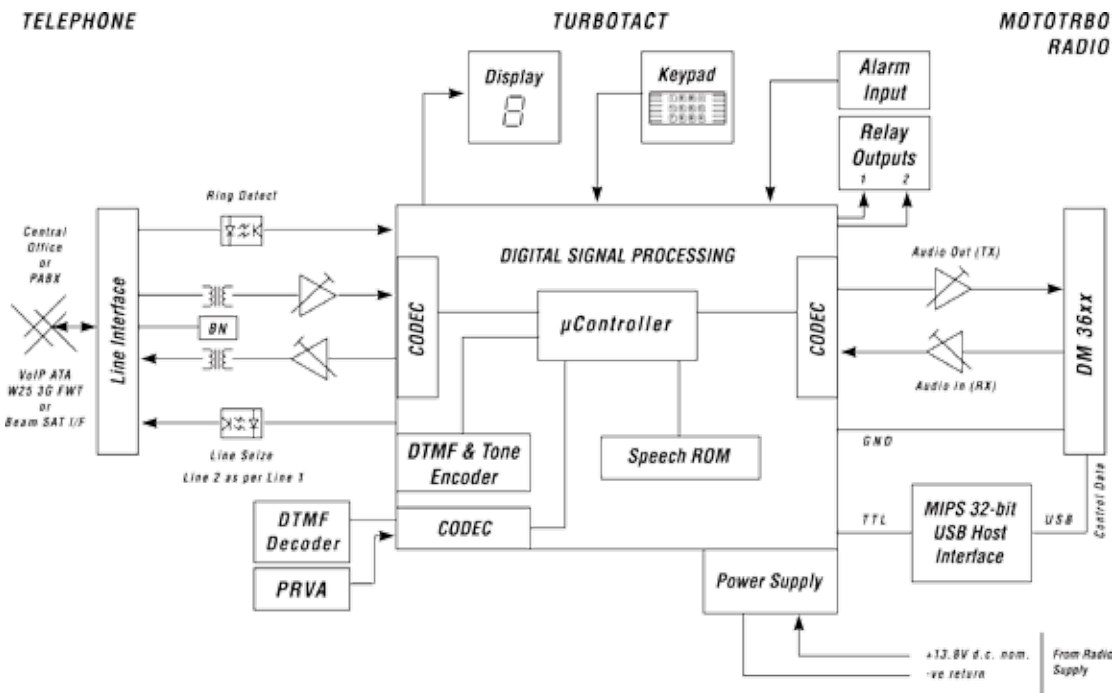
TURBOTACT is a certified Motorola XCMP-Based peripheral. The integrated, single chip solution for XCMP commands over USB allows TURBOTACT to interface any MOTOTRBO fleet to the telephone network. TURBOTACT is a stand-alone box with no need for a dedicated computer, option boards or ongoing licence fees.

INTRODUCING TURBOTACT FOR RADIO-TELEPHONE INTERCONNECT WITH TELEMETRY

The TURBOTACT solution is a certified XCMP/USB based peripheral that does not require radios to be modified with option boards.



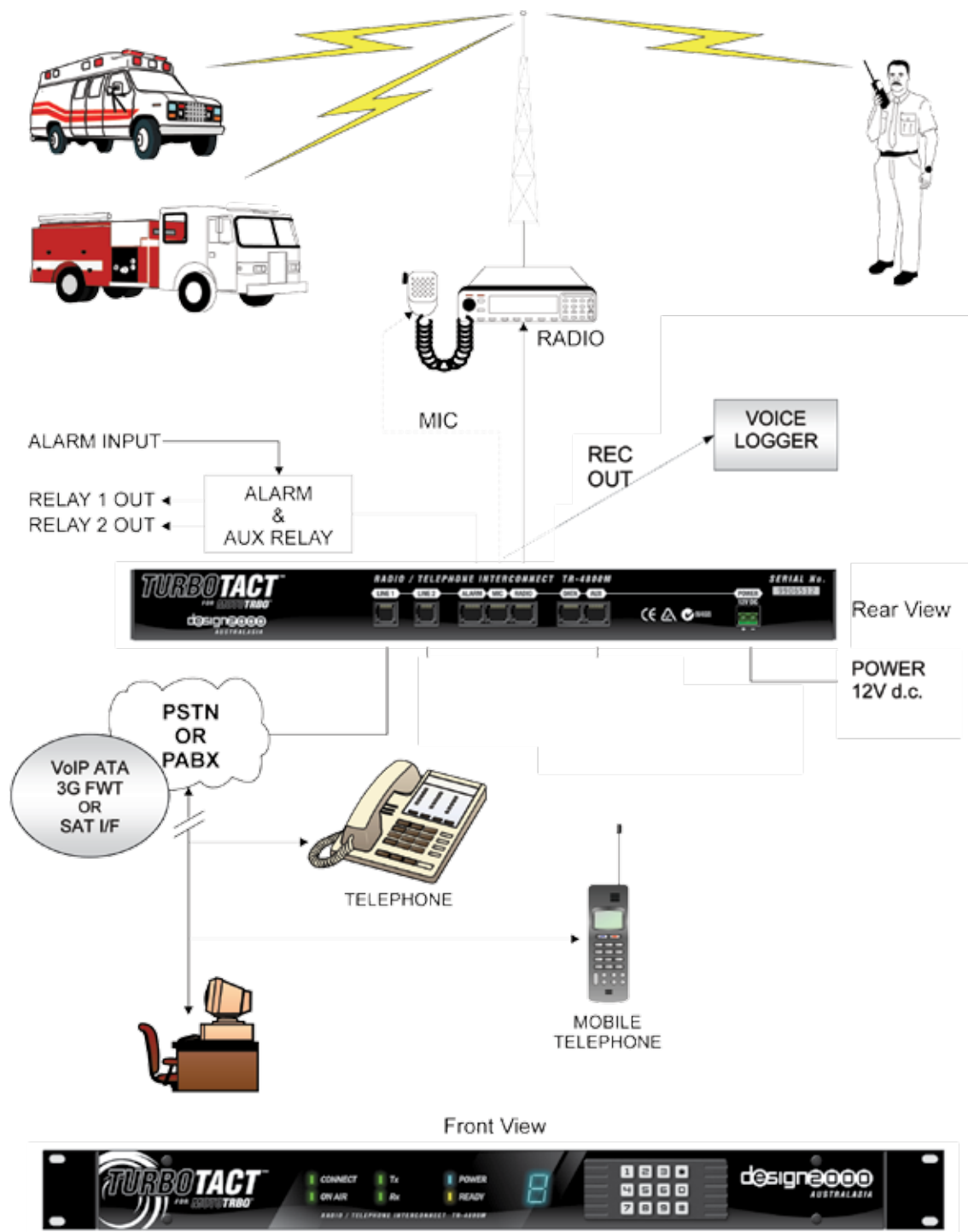
SYSTEM DIAGRAM



KEY FEATURES

- All call, group call and private call
- Half duplex – radio user has full voice path control using MOTOTRBO™ Transmit Interrupt
- Last number redial
- Directory of 100 speed dial numbers
- Automatic disconnect
- Record output for recording radio-telephone calls
- Alarm Dialer and controllable relay outputs
- Plug & Play installation comes complete with interface and power cables for connection to any DM36xx mobile in your fleet, telephone cord for IP fax line, PABX extension or ordinary phone line
- In-field firmware upgradeable

USAGE SCENARIO





SYSTEM SPECIFICATIONS

- DM 3600 or DM 3601 with version 1.07.00 firmware or later

SUPPORTED LANGUAGE

- English
- Spanish

GEOGRAPHICAL COVERAGE

- Australia
- New Zealand

OTHER REQUIREMENTS

- Qualified MOTOTRBO™ Installer
- ACMA registered cabler preferred

ORDER-TO-SHIP CYCLE TIME

- Two Weeks

PRICING INFORMATION

- AUD 2400 Wholesale
- AUD 3290 List

DEMONSTRATION

- Available upon request

www.motorolasolutions.com

MOTOROLA and the Stylized M Logo are registered in the U.S. Patent and Trademark Office. All other product or service names are the property of their registered owners. © Motorola Solutions, Inc. 2011. All rights reserved.



design2000
Communications | Electrical Test | Process Control

DESIGN 2000 PTY LTD
9-11 Rose Street
Upper Ferntree Gully
Victoria 3156, Australia
Telephone: 61-39758 5933
Facsimile: 61-39758 5560
Website: www.design2000.com.au

Pre-Sales Contact
Contact Person: Peter Zeug
Time: UTC/GMT +10 hours
Languages: English
Email: peter@design2000.com.au

Service /After-Sales Contact
Contact Person: Mike Waddell
Time: UTC/GMT +10 hours
Languages: English
Email: mike@design2000.com.au